

A Level Further Mathematics A Y544 Discrete Mathematics Sample Question Paper

Date – Morning/Afternoon

Time allowed: 1 hour 30 minutes

OCR supplied materials:

- Printed Answer Booklet
- Formulae A Level Further Mathematics A

You must have:

- Printed Answer Booklet
- Formulae A Level Further Mathematics A
- Scientific or graphical calculator



INSTRUCTIONS

- Use black ink. HB pencil may be used for graphs and diagrams only.
- Complete the boxes provided on the Printed Answer Booklet with your name, centre number and candidate number.
- Answer **all** the questions.
- **Write your answer to each question in the space provided in the Printed Answer Booklet.**
- Additional paper may be used if necessary but you must clearly show your candidate number, centre number and question number(s).
- Do **not** write in the bar codes.
- You are permitted to use a scientific or graphical calculator in this paper.
- Final answers should be given to a degree of accuracy appropriate to the context.
- The acceleration due to gravity is denoted by $g \text{ m s}^{-2}$. Unless otherwise instructed, when a numerical value is needed, use $g = 9.8$.

INFORMATION

- The total number of marks for this paper is **75**.
- The marks for each question are shown in brackets [].
- **You are reminded of the need for clear presentation in your answers.**
- The Printed Answer Booklet consists of **12** pages. The Question Paper consists of **8** pages.

- 1 Fiona is a mobile hairdresser. One day she needs to visit five clients, A to E, starting and finishing at her own house at F. She wants to find a suitable route that does not involve her driving too far.

(i) Which standard network problem does Fiona need to solve?

[1]

travelling salesperson problem

The shortest distances between clients, in km, are given in the matrix below.

	A	B	C	D	E
A	-	12	8	6	4
B	12	-	10	8	10
C	8	10	-	13	10
D	6	8	13	-	10
E	4	10	10	10	-

- (ii) Use the copy of the matrix in the Printed Answer Booklet to construct a minimum spanning tree for these five client locations.

State the algorithm you have used, show the order in which you build your tree and give its total weight. Draw your minimum spanning tree.

[4]

	① A	⑤ B	④ C	③ D	② E
A	-	12	8	6	4
B	12	-	10	⑧	10
C	⑧	10	-	13	10
D	⑥	8	13	-	10
E	④	10	10	10	-

Prim's algorithm, start @ A:

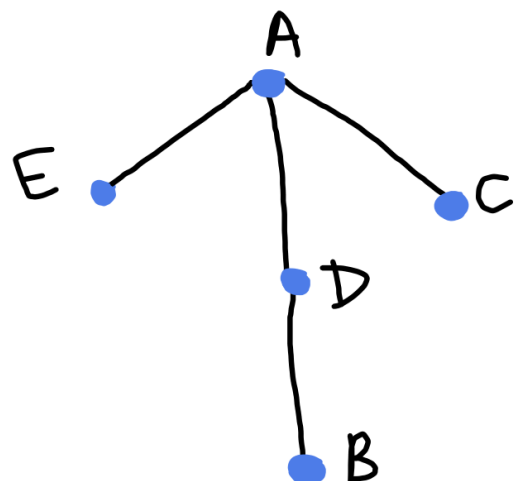
AE (4)

AD (6)

AC (8)

DB (8)

total: 26km



The distance from Fiona's house to each client, in km, is given in the table below.

	A	B	C	D	E
F	2	11	9	7	5

(iii) Use this information together with your answer to part (ii) to find a lower bound for the length of Fiona's route. [2]

(iv) (a) Find all the cycles that result from using the nearest neighbour method, starting at F. [3]

(b) Use these to find an upper bound for the length of Fiona's route. [2]

iii. MST weight + 2 shortest arcs to F = 26 + 2 + 5
 \rightarrow AF & EF
 = 33 km

iv. a) nearest neighbour gives F-A-E

B, C, & D are all equal distance from E so

F-A-E $\left\{ \begin{array}{l} B-D-C-F : 2+4+10+8+13+9=46 \\ C-B-D-F : 2+4+10+10+8+7=41 \\ D-B-C-F : 2+4+10+8+10+9=43 \end{array} \right.$

b) take lowest total weight from (a) \Rightarrow upper bound is 41 km

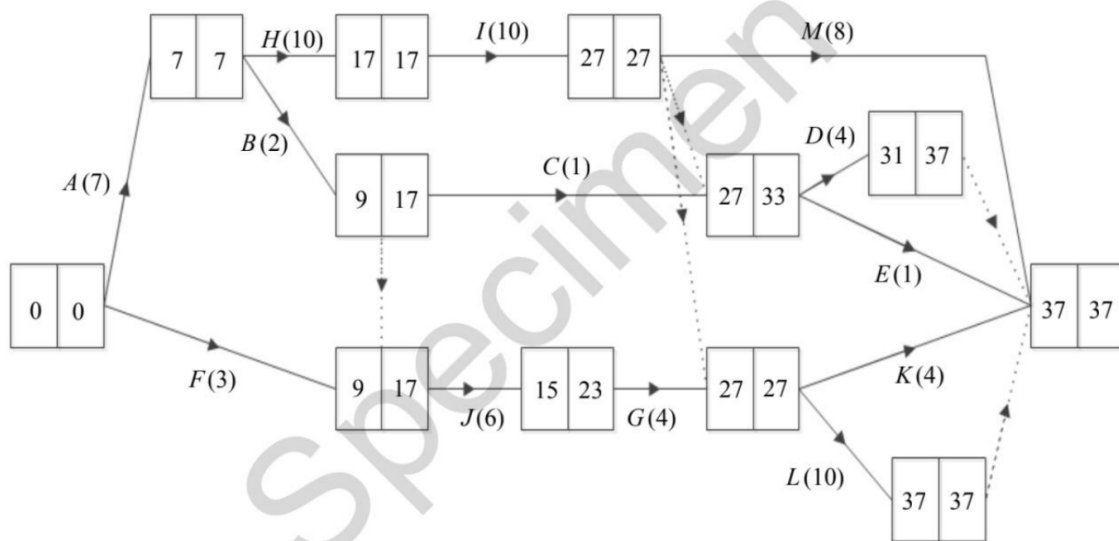
(v) Fiona wants to drive less than 35 km. Using the information in your answers to parts (iii) and (iv) explain whether or not a route exists which is less than 35 km in length. [1]

(iii) gives lower bound of 26 km & (iv) gives upper bound of 41 km, so we know $26 < x \leq 41$. however, we have not constructed a route at the lower bound, so we can't know if such a route exists.

- 2 Kirstie has bought a house that she is planning to renovate. She has broken the project into a list of activities and constructed an activity network, using activity on arc.

Activity	
<i>A</i>	Structural survey
<i>B</i>	Replace damp course
<i>C</i>	Scaffolding
<i>D</i>	Repair brickwork
<i>E</i>	Repair roof
<i>F</i>	Check electrics
<i>G</i>	Replaster walls

Activity	
<i>H</i>	Planning
<i>I</i>	Build extension
<i>J</i>	Remodel internal layout
<i>K</i>	Kitchens and bathrooms
<i>L</i>	Decoration and furnishing
<i>M</i>	Landscape garden

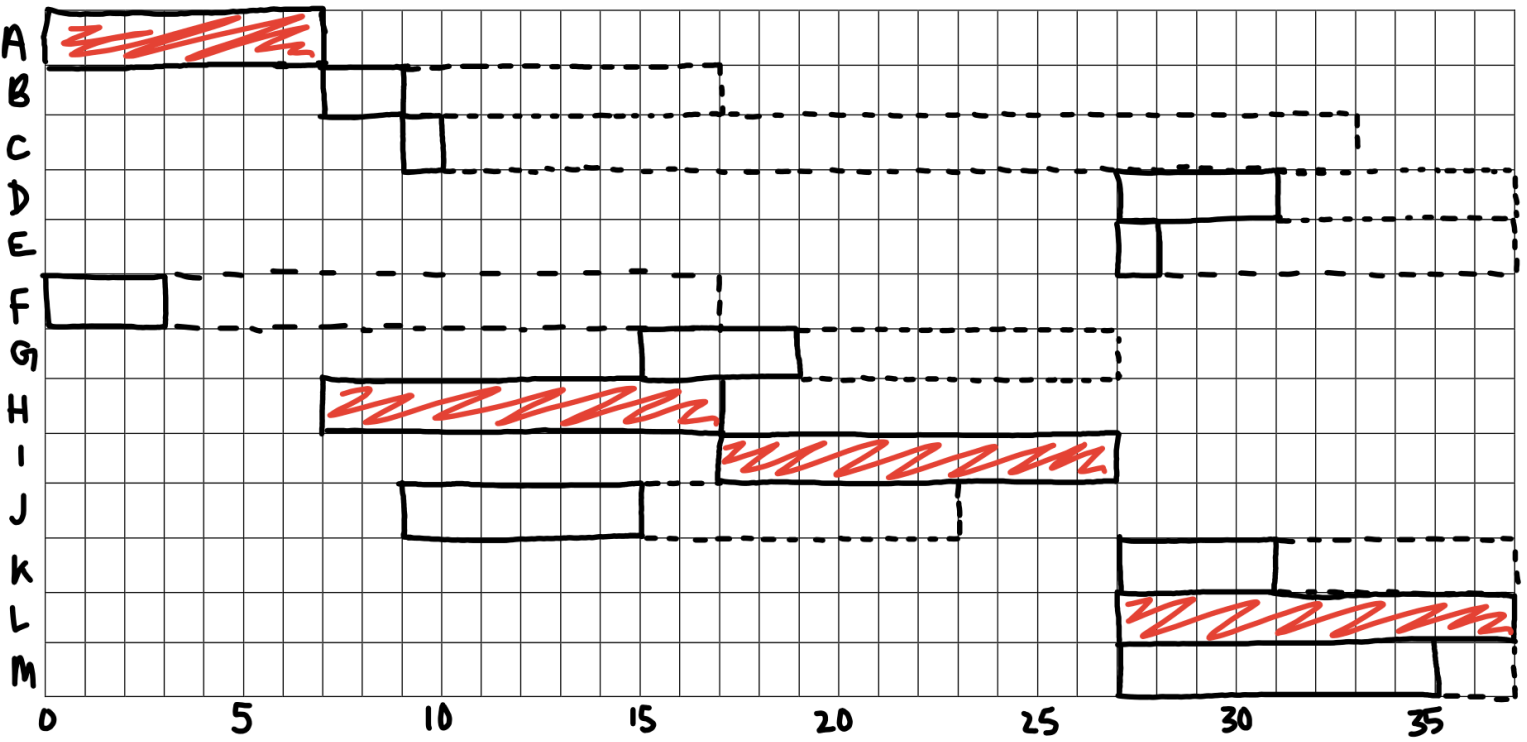


- (i) Construct a cascade chart for the project, showing the float for each non-critical activity. [7]
- (ii) Calculate the float for remodelling the internal layout stating how much of this is independent float and how much is interfering float. [3]

Kirstie needs to supervise the project. This means that she cannot allow more than three activities to happen on any day.

- (iii) Describe how Kirstie should organise the activities so that the project is completed in the minimum project completion time and no more than three activities happen on any day. [3]

i.



critical activities: survey, planning, extension, decoration

ii. latest start for J (internal layout) = $23 - 6 = 17$

J float = $23 - 9 - 6 = 8$

$17 - 15 < 6$ ∴ all interfering float

↑ latest start ↑ earliest start

iii. from cascade chart, we can see that, when all activities start at their earliest time, more than 3 activities happen from day 28 to day 31.

delay E until after D ∴ E has a large float & short duration. then do K.

3 Bob has been given a pile of five letters addressed to five different people. He has also been given a pile of five envelopes addressed to the same five people. Bob puts one letter in each envelope at random.

(i) How many different ways are there to pair the letters with the envelopes? [1]

(ii) Find the number of arrangements with exactly three letters in the correct envelopes. [2]

(iii) (a) Show that there are two derangements of the three symbols A, B and C. [1]

(b) Hence find the number of arrangements with exactly two letters in the correct envelopes. [1]

Let D_n represent the number of derangements of n symbols.

(iv) Explain why $D_n = (n-1)(D_{n-1} + D_{n-2})$. [2]

(v) Find the number of ways in which all five letters are in the wrong envelopes. [2]

i. ${}^5P_5 = 120$

ii. ${}^5C_3 = 10$ ways to choose the 3 letters.

2 letters & 2 envelopes left, so there is only one way to place them incorrectly such that exactly 3 are correct. this gives $10 \times 1 = 10$ arrangements.

iii. a) A can't be 1st.

if B is 1st, C must follow, then A, \because C can't be last.

if C is 1st, A must follow, then B, \because B can't be 2nd.

\hookrightarrow 2 derangements.

b) ${}^5C_2 = 10$ ways to choose 2 correctly-placed letters. 2 ways to arrange remaining 3 so none are

Correct.

$10 \times 2 = 20$ arrangements.

IV. 1st position has $(n-1)$ choices. a symbol not currently in 1st place is moved to 1st position. the symbol that was in 1st then replaces this symbol, in the position it held before moving. this leaves $(n-2)$ symbols & $(n-2)$ positions.

thus, it can be done in $D(n-2)$ ways.

alternatively, the 1st symbol can be renamed with that of the 2nd, giving $(n-1)$ symbols & $(n-1)$ positions, which gives $D(n-1)$ ways.

in total: $D(n) = (n-1) \times (D_{n-1} + D_{n-2})$

(choices for
1st position)

v. $D(4) = 3(2+1) = 9$

$$D(5) = 4(9+2) = 44$$

⇒ 44 ways for all 5 letters to be in wrong envelopes.

4 The table shows the pay-off matrix for player A in a two-person zero-sum game between A and B .

		Player B		
		Strategy X	Strategy Y	Strategy Z
Player A	Strategy P	4	5	-4
	Strategy Q	3	-1	2
	Strategy R	4	0	2

(i) Find the play-safe strategy for player A and the play-safe strategy for player B . Use the values of the play-safe strategies to determine whether the game is stable or unstable. [3]

(ii) If player B knows that player A will use their play-safe strategy, which strategy should player B use? [1]

i.

	X	Y	Z	row min	maxi min
P	4	5	-4	-4	
Q	3	-1	2	-1	
R	4	0	2	0	*
col max	4	5	2		
minimax			*		

⇒ play-safe for A : R
 " " B : Z
 $0 \neq 2 \therefore$ unstable.

ii. if A uses strategy R , B should change from Z to Y for the best pay-off.

(iii) Suppose that the value in the cell where both players use their play-safe strategies can be changed, but all other entries are unchanged. Show that there is no way to change this value that would make the game stable. [2]

(iv) Suppose, instead, that the value in one cell can be changed, but all other entries are unchanged, so that the game becomes stable. Identify a suitable cell and write down a new pay-off value for that cell which would make the game stable. [2]

(v) Show that the zero-sum game with the new pay-off value found in part (iv) has a Nash equilibrium and explain what this means for the players. [3]

iii. increasing (R, Z) entry doesn't change row min but increases column max. the row maximin = 0 still.

col minimax $> 2 \Rightarrow$ not equal, game still unstable.

decreasing entry doesn't change col max $\because (Q, Z) = 2$, though it could or could not decrease row min. the row

Maximin = 0 or less than 0, depending. col minimax = 2 \Rightarrow they aren't equal. the game is still unstable.

iv. (R, Y) increased to 3

\hookrightarrow changes row min & hence maximin to 2

v. A: $(P, X); (R, X); (P, Y); (Q, Z); (R, Z)$

B: $(P, Z); (Q, Y); (R, Z)$

so it is a Nash equilibrium when A chooses R & B chooses Z: (R, Z) .

neither player would want to change, unless the other changes too.

- 5 A garden centre sells tulip bulbs in mixed packs. The cost of each pack and the number of tulips of each colour are given in the table.

	Cost (£)	Red	White	Yellow	Pink
Pack A	50	25	25	25	25
Pack B	48	40	30	30	0
Pack C	53	20	30	40	10

Dirk is designing a floral display in which he will need the number of red tulips to be at most 50 more than the number of white tulips, and the number of white tulips to be less than or equal to twice the number of pink tulips. He has a budget of £240 and wants to find out which packs to buy to maximise the total number of bulbs.

Dirk uses the variables x , y and z to represent, respectively, how many of pack A, pack B and pack C he buys. He sets up his problem as an initial simplex tableau, which is shown below.

Initial tableau	P	x	y	z	s	t	u	RHS
Row 1	1	-1	-1	-1	0	0	0	0
Row 2	0	0	1	-1	1	0	0	5
Row 3	0	-5	6	2	0	1	0	0
Row 4	0	50	48	53	0	0	1	240

- (i) Show how the constraint on the number of red tulips leads to one of the rows of the tableau. [3]

The tableau that results after the first iteration is shown below.

After first iteration	P	x	y	z	s	t	u	RHS
Row 5	1	0	-0.04	0.06	0	0	0.02	4.8
Row 6	0	0	1	-1	1	0	0	5
Row 7	0	0	10.8	7.3	0	1	0.1	24
Row 8	0	1	0.96	1.06	0	0	0.02	4.8

- (ii) Which cell was used as the pivot? [1]
 (iii) Explain why row 2 and row 6 are the same. [1]
 (iv) (a) Read off the values of x , y and z after the first iteration. [1]
 (b) Interpret this solution in terms of the original problem. [2]

i. no. red tulips: $25x + 40y + 20z$
 no. white tulips: $25x + 30y + 30z$
 red tulips have to be max. 50 + white tulips
 $\Rightarrow 25x + 40y + 20z \leq 50 + (25x + 30y + 30z)$
 $10y - 10z \leq 50$
 $y - z \leq 5$
 slack variable s added gives row 2: $y - z + s = 5$

ii. column x , row 4

iii. entry in row 2, pivot column x was 0

iv. a) $x = 4.8$

$$y = 0$$

$$z = 0$$

b) this is not an optimal solution \because there is still a negative value in the y column.

the practical problem can only take integer values, meaning the practical solution is buying 4 packs of A.

- (v) Identify the variable that has become non-basic. Use the pivot row of the initial tableau to eliminate x algebraically from the equation represented by Row 1 of the initial tableau. [3]

The feasible region can be represented graphically in three dimensions, with the variables x , y and z corresponding to the x -axis, y -axis and z -axis respectively. The boundaries of the feasible region are planes. Pairs of these planes intersect in lines and at the vertices of the feasible region these lines intersect.

- (vi) The planes defined by each of the new basic variables being set equal to 0 intersect at a point. Show how the equations from part (v) are used to find the values P and x at this point. [2]

v. u is the non-basic variable.

$$x = 4.8 - 0.96y - 1.06z - 0.02u \quad (*)$$

$$P - x - y - z = 0$$

$$\Rightarrow P - (4.8 - 0.96y - 1.06z - 0.02u) - y - z = 0$$

$$\Rightarrow P - 0.04y + 0.06z + 0.02u = 4.8$$

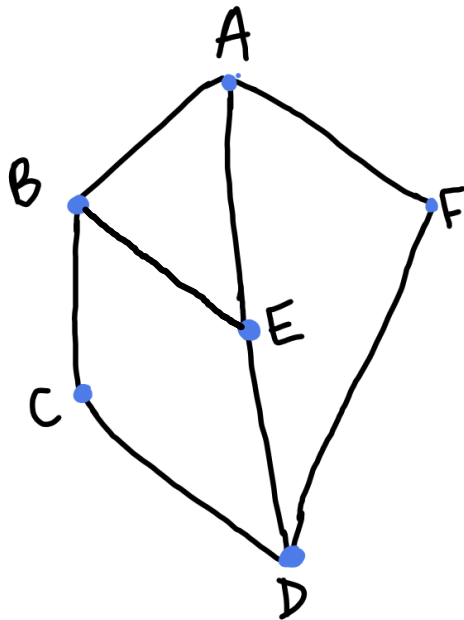
vi. equation above gives $P = 4.8$ when $y, z, u = 0$

from equation for x (*), deduce $x = 4.8$ when $y, z, u = 0$

6 A planar graph G is described by the adjacency matrix below.

	A	B	C	D	E	F
A	0	1	0	0	1	1
B	1	0	1	0	1	0
C	0	1	0	1	0	0
D	0	0	1	0	1	1
E	1	1	0	1	0	0
F	1	0	0	1	0	0

- (i) Draw the graph G . [1]
- (ii) Use Euler's formula to verify that there are four regions. Identify each region by listing the vertices that define it. [3]
- (iii) Explain why graph G cannot have a Hamiltonian cycle that includes the edge AB . Deduce how many Hamiltonian cycles graph G has. [4]



ii. $V + R = E + 2$
 $\Rightarrow 6 + R = 8 + 2$
 $\Rightarrow R = 4$

$\{A, B, E\}$ $\{B, C, D, E\}$

$\{A, D, E, F\}$ $\{A, B, C, D, F\}$

- iii. if Hamiltonian cycle (HC) includes AB , then must have $A-B-C-D$ to include C : then, can have $D-E-A$ or $D-F-A$, but can't visit both E & F \therefore can't form HC.
 if you ignore AB , cycle must include $E-B-C-D$.
 to include A & F , need cycle to continue $D-F-A-E$.
 \Rightarrow only one HC.

A colouring algorithm is given below.

- STEP 1: Choose a vertex, colour this vertex using colour 1.
- STEP 2: If all vertices are coloured, STOP. Otherwise use colour 2 to colour all uncoloured vertices for which there is an edge that joins that vertex to a vertex of colour 1.
- STEP 3: If all vertices are coloured, STOP. Otherwise use colour 1 to colour all uncoloured vertices for which there is an edge that joins that vertex to a vertex of colour 2.
- STEP 4: Go back to STEP 2.

(iv) Apply this algorithm to graph G , starting at E . Explain how the colouring shows you that graph G is not bipartite. [2]

	A	B	C	D	E	F
A	0	1	0	0	1	1
B	1	0	1	0	1	0
C	0	1	0	1	0	0
D	0	0	1	0	1	1
E	1	1	0	1	0	0
F	1	0	0	1	0	0

≡ - colour 1
≡ - colour 2

2 colours correspond to the 2 sets in a bipartite graph.
however, A & B are both colour 2 \Rightarrow same set, but they are joined by arc AB.

By removing just one edge from graph G it is possible to make a bipartite graph.

- (v) Identify which edge needs to be removed and write down the two sets of vertices that form the bipartite graph. [2]

Graph G is augmented by the addition of a vertex X joined to each of A, B, C, D, E and F .

- (vi) Apply Kuratowski's theorem to a contraction of the augmented graph to explain how you know that the augmented graph has thickness 2. [4]

END OF QUESTION PAPER

v. remove arc AB .

gives sets $\{A, B, D\}$ & $\{C, E, F\}$

vi. G is planar \therefore arcs can be drawn on one plane with no cross-overs. new arcs can be drawn on a 2nd plane. hence, thickness can't exceed 2.

Kuratowski's theorem: if a graph has a subdivision of $K_{3,3}$ or K_5 as a subgraph, it isn't planar.

the new graph contains neither, but if AF is contracted, it now contains $K_{3,3} = \{X, C, E\}, \{(AF), B, D\}$

\Rightarrow not planar by theorem, so thickness $\neq 1$.

\therefore thickness is ≥ 2 . concluded above that thickness ≤ 2

\therefore thickness = 2.